

Monitors

Product:
Daspit Tool™

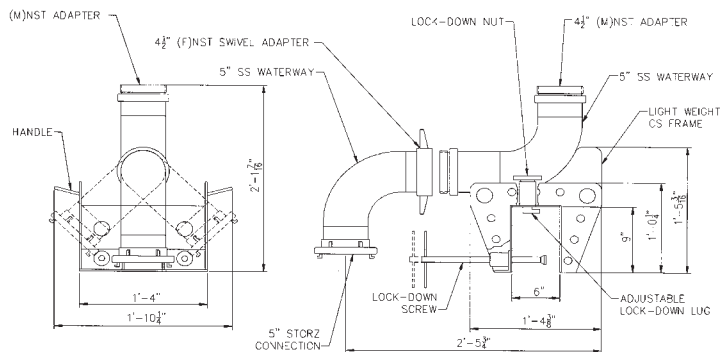
Features:
Patented “Daspit Tool” tank frame clamp with 5” vertical waterway
“Daspit Tool” Specialty Flange Monitor Adapter
“Daspit Tool” Rotator Elbow with Storz inlet and 4.5” (F) NH swivel adapter

Component Weights:
Daspit Tool™ Tank Clamp = 89 lbs

Accessory Component Weights:
90° Aluminum Rotator Elbow - 4.5” (F) NH Swivel x 5” Storz = 22 lbs
30° Aluminum Rotator Elbow - 4.5” (F) NH Swivel Elbow x 5” Storz = 9 lbs
4” Aluminum Tiller Bar Monitor w/ 4.5” (F) NH Swivel inlet = 43 lbs
4” Aluminum Dual Hand Wheel Monitor - 4.5” (F) NH Swivel inlet = 50 lbs
Ranger™ 1.5 Nozzle = 22 lbs

Applications:
Sunken roof
Rim Seal fire
Vapor Suppression/Mitigation

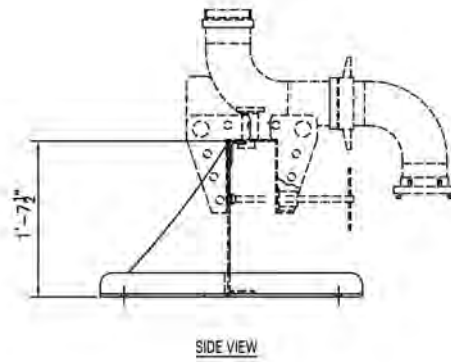
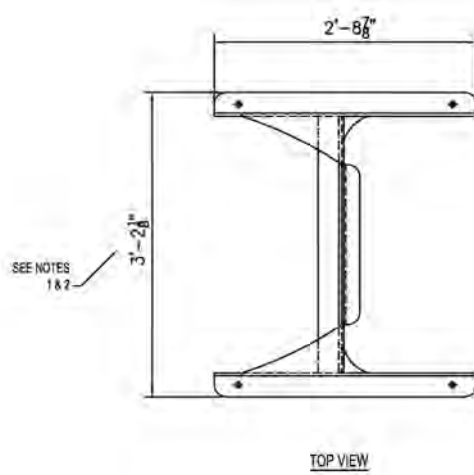
Options:
3” Aluminum Waterway Monitor w/Tiller Bar Control
250-1,000 gpm Automatic Nozzle
4” Aluminum Waterway Monitor w/Dual Hand Wheel Control
500-2,000 gpm Automatic Nozzle
Rim Mounted Model
Truck Mounted Model
“Throw-Down” Model
Tank Mount Standard Unit



For US and Foreign Patent and Trademark information, please refer to page IP2

Monitors

Product:
Daspit Tool - Truck Mount™



For US and Foreign Patent and Trademark information, please refer to page IP2

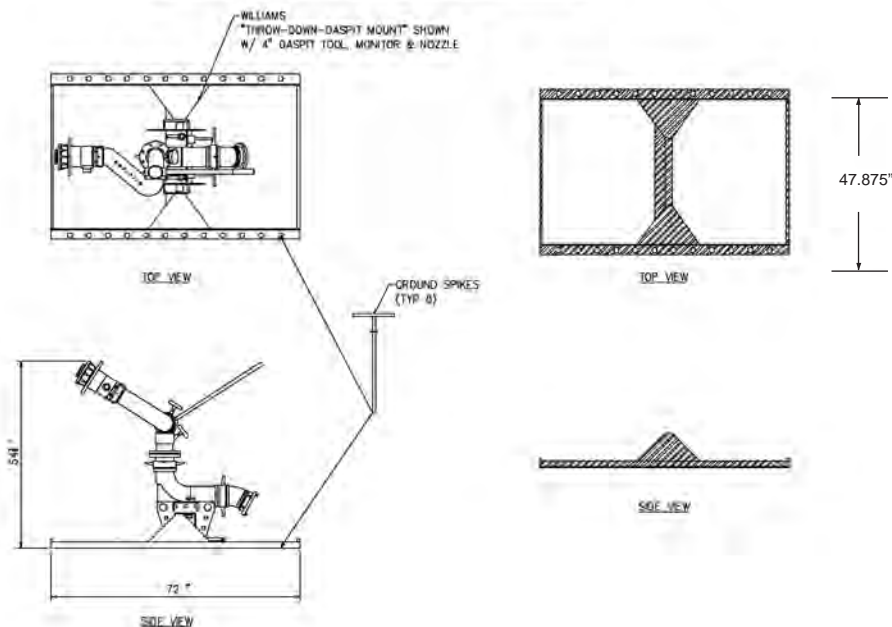
Monitors

Product:
Daspit Tool™ - Throw Down Model

Component Weights:
Daspit™ Tool Throw Down Mount = 113 lbs
8 Stabilizing stakes = 64 lbs



"Throw-Down" Daspit Tool™ Stand



For US and Foreign Patent and Trademark information, please refer to page IP2

