



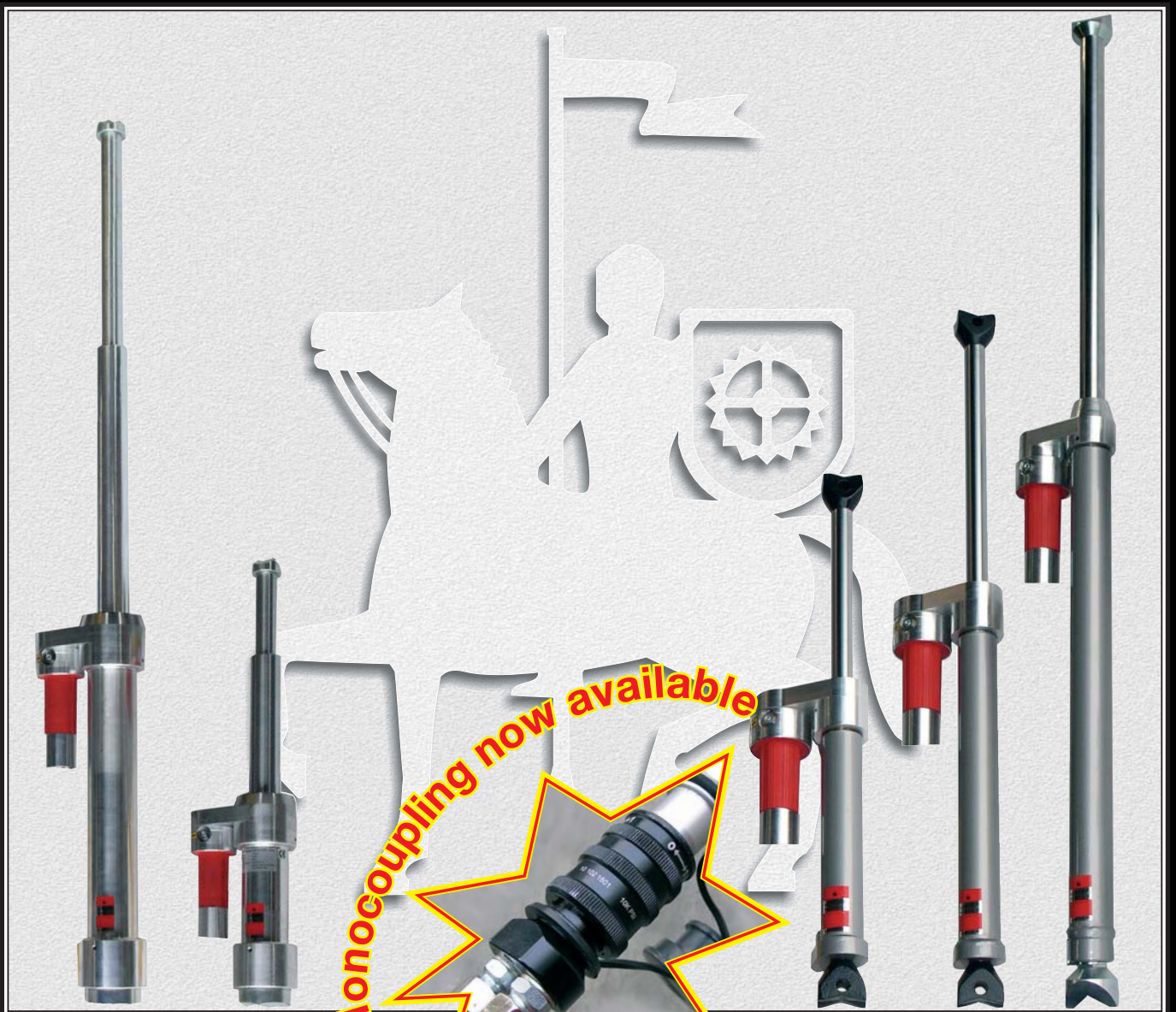
LANCIER
Hydraulik

GmbH & Co. KG

www.lancier-hydraulik.de

Rescue Rams

performance Line

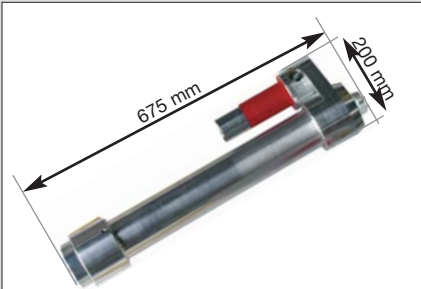


... when it gets tough !

Rescue rams

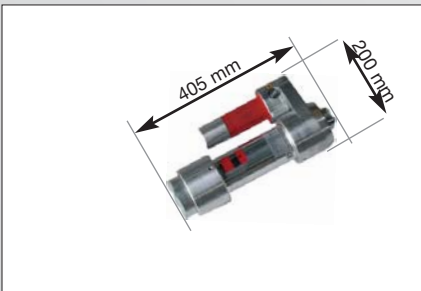


Type LH-RT-11560



Spreading force max.	224/71 kN
Length extended	1560 mm
Length retracted	675 mm
Width	110 mm
Height	200 mm
Weight	20.1 kg
Order-No.*	76340

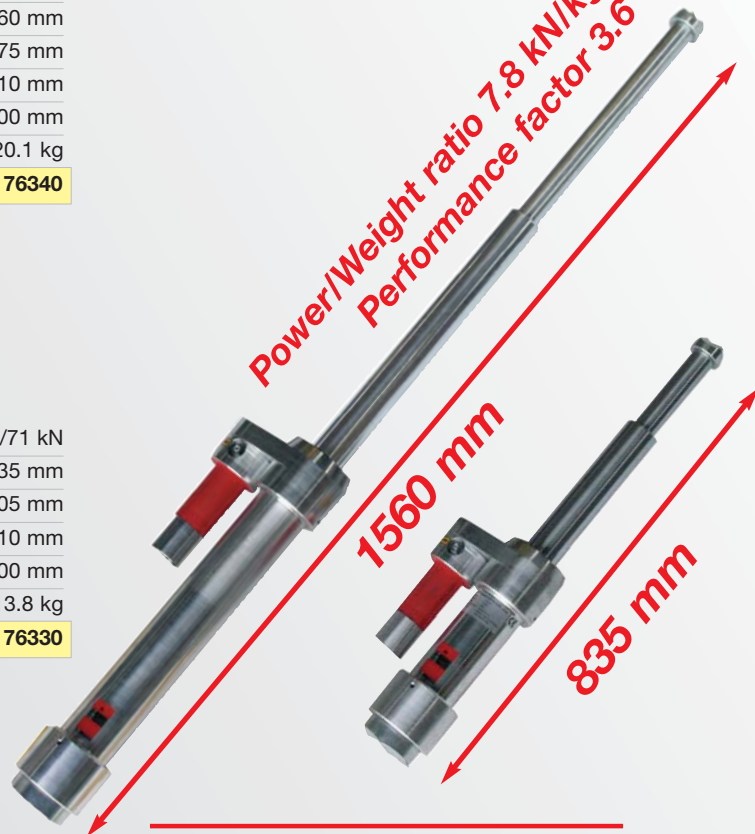
Type LH-RT-1835



Spreading force max.	224/71 kN
Length extended	835 mm
Length retracted	405 mm
Width	110 mm
Height	200 mm
Weight	13.8 kg
Order-No.*	76330

Performance factor 2.6
Power/Weight ratio 11.4 kN/kg

Power/Weight ratio 7.8 kN/kg
Performance factor 3.6



* All specifications refer to operating pressure of 720 bar, without hoses.

Subject to alterations, errors excepted.



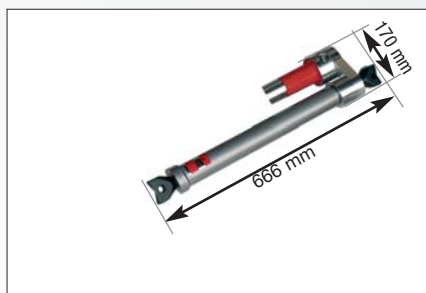
Type LH-RT-11600



Spreading force max.	115 kN
Length extended	1600 mm
Length retracted	915 mm
Width	85 mm
Height	180 mm
Weight	21.0 kg
Order-No.*	76320

Performance factor 3.8
Power/Weight ratio 5.5 kN/kg

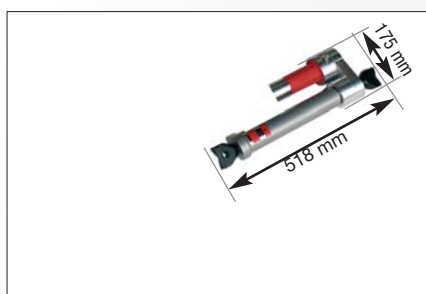
Type LH-RT-11100



Spreading force max.	90 kN
Pulling force max.	33 kN
Length extended	1100 mm
Length retracted	666 mm
Width	85 mm
Height	170 mm
Weight	12.8 kg
Order-No.*	76310

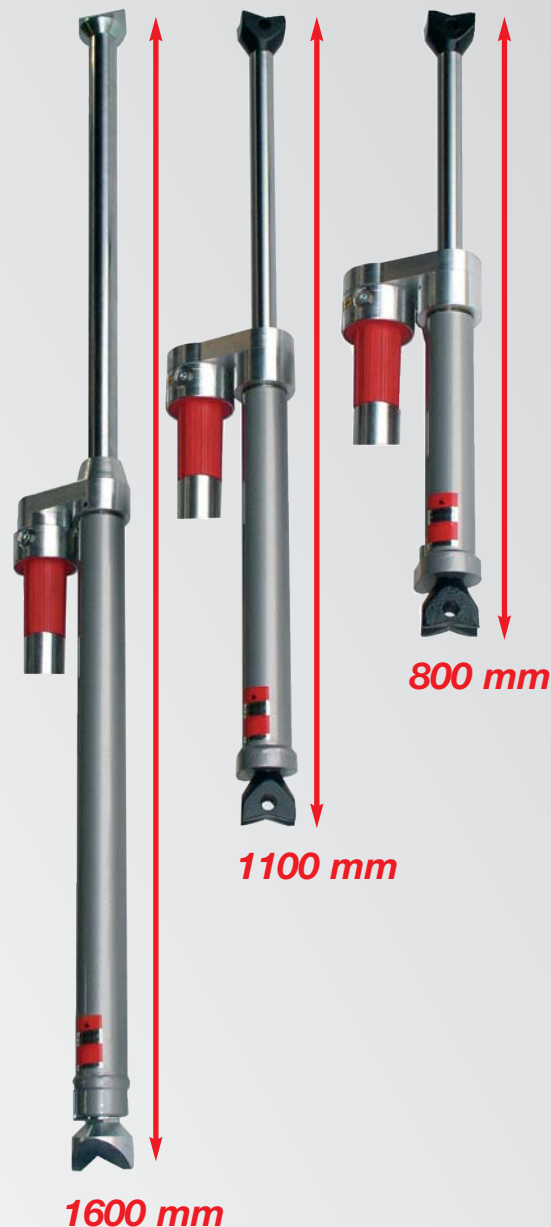
Performance factor 3.1
Power/Weight ratio 7.0 kN/kg

Type LH-RT-1800



Spreading force max.	90 kN
Pulling force max.	33 kN
Length extended	800 mm
Length retracted	518 mm
Width	85 mm
Height	175 mm
Weight	10.4 kg
Order-No.*	76300

Performance factor 2.4
Power/Weight ratio 8.6 kN/kg



Special features

- Opening widths up to 1600 mm**
- Spreading force up to 224 kN**
- Operating pressure 630 to 720 bar
- High pressure pigtails, 500 mm long, equipped with kink protection
- Automatic locking, flat face quick connect couplings
- Optional with **Monocoupling**
- Twist grip safety control with integrated over pressurization protection
- Harmonized size, matches to the spreading width of LANCIER Hydraulik spreaders
- Extension of the pushing distance in connection with the LANCIER ram support
- Exchangeable tips; partly prepared for the direct connection of pulling chains
- Optimum power/weight ratio